

# W1210ST

## Full-HD Home Projector for Gaming



### Features

- Superior Short Throw Projection with 100" at 1.5 Meters
- Low Input Lag for Smoother Gaming
- Native 1080p Full-HD Image Quality
- Unique Game Mode / Game Bright Mode
- Brilliant Color with Optimized 6X RGBRGB Color Wheel for Gaming
- CinemaMaster Audio with 10W x 2 Speakers

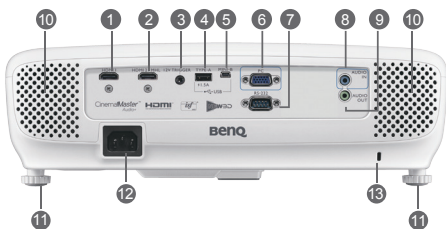


### Product Specifications

<b>Projection System</b>	DLP	
<b>Native Resolution</b>	1080p (1920 x 1080)	
<b>Display Pixels</b>	2.1 Million	
<b>Brightness</b>	2200 ANSI lumens	
<b>Contrast Ratio</b>	15000 : 1	
<b>Display Color</b>	1.07 Billion Colors	
<b>Lens</b>	F=2.6 - 2.78, f=10.2 - 12.24 mm	
<b>Aspect Ratio</b>	Native 16:9 (5 aspect ratios selectable)	
<b>Throw Ratio</b>	0.69 - 0.83 (100" @ 1.5m)	
<b>Image Size (Clear Focus / Maximum)</b>	60"-120" / 300"	
<b>Zoom Ratio</b>	1.2 : 1	
<b>Light Source</b>	240 W	
<b>Light Source Life</b>	3500 / 5000 / 7000 hours (Normal / Economic / SmartEco)*	
<b>Compatibility</b>	HDTV Compatibility	480i, 480p, 576i, 576p, 720p, 1080i, 1080p
	Video Compatibility	NTSC, PAL, SECAM
	3D Compatibility	Frame Sequential: Up to 720p Frame Packing: Up to 1080p Side by Side: Up to 1080i/p Top Bottom: Up to 1080p
<b>Horizontal Frequency</b>	15 - 102KHz	
<b>Vertical Scan Rate</b>	23 - 120Hz	
<b>Color Wheel Segment</b>	6-Segment (RGBRGB)	
<b>Color Wheel Speed</b>	6x (50Hz)	
<b>Interface</b>	PC (D-Sub)	x 1
	HDMI	x 2
	MHL	x 1 (Shared with HDMI-2)
	Audio In	x 1
	Audio Out	x 1
	Speakers	10W x 2 with CinemaMaster Audio+
	USB (Type A)	x 1 (5V / 1.5A power supply)
	USB (Type mini B)	x 1 (Service)
	RS232	x 1
	DC 12V Trigger	x 1
	IR Receiver	x 2 (Front & Top)
<b>Dimensions</b>	Dimensions (W x H x D)	380.5 x 121.7 x 277 mm
	Weight	3.6 kg
<b>Power</b>	Power Supply	AC100 to 240V, 50 to 60 Hz
	Power Consumption	353W (Normal), 292W (Eco), Standby <0.5W
<b>Noise Level</b>	29 / 27 dBA (Normal / Economic mode)	
<b>On-Screen Display Languages</b>	Arabic / Bulgarian / Croatian / Czech / Danish / Dutch / English / Finnish / French / German / Greek / Hindi / Hungarian / Italian / Indonesian / Japanese / Korean / Norwegian / Polish / Portuguese / Romanian / Russian / Simplified Chinese / Spanish / Swedish / Turkish / Thai / Traditional Chinese (28 Languages)	
<b>Picture Modes</b>	** ISF Disabled: Bright / Vivid / Cinema / Game / Game (Bright) / User / (3D) *** ISF Enabled: Bright / Vivid / Cinema / Game / Game (Bright) / User / ISF Night / ISF Day / (3D)	
<b>Accessories</b>	Standard	Lens Cover Remote Control with Battery Power Cord User Manual CD Quick Start Guide Warranty Card Carry Bag
	Optional	Spare Lamp Kit Ceiling Mount Wireless FHD Kit DLP 3D Glasses

\*Lamp life results will vary depending on environmental conditions and usage. Actual product's features and specifications are subject to change without notice.

## Input and Output Terminals

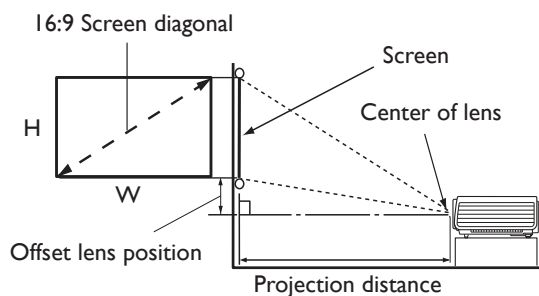


- 1 HDMI input port
- 2 MHL/HDMI dual mode port  
Connects to MHL or HDMI compatible devices and charges the connected MHL compatible device as long as power is fed to the projector.
- 3 12VDC output terminal  
Triggers external devices such as an electric screen or light control, etc.
- 4 USB Type-A port  
Charges the receiver box of the Wireless FHD Kit (optional accessory).
- 5 USB Mini-B port  
Used for service.
- 6 RGB (PC) / Component video (YPbPr / YCbCr) signal input jack
- 7 RS-232 control port  
Interfaces with a PC or home theater control / automation system.
- 8 Audio input jack
- 9 Audio output jack
- 10 Speaker grills
- 11 Rear adjuster feet
- 12 AC Power cable inlet
- 13 Kensington lock slot

## Dimensions



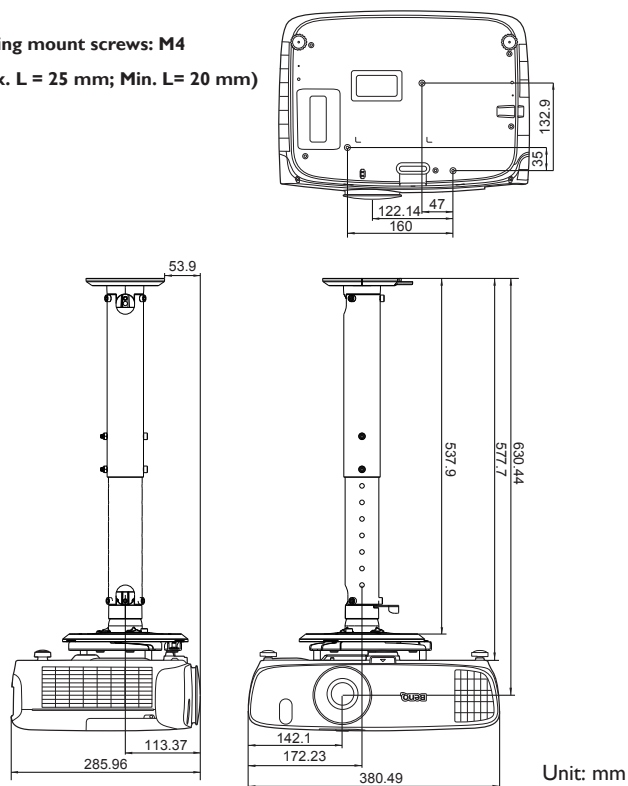
## Distance Chart



Screen size				Projection distance (mm)			Offset lens position (mm)
Diagonal		H	W	Min distance (max. zoom)	Average	Max distance (min. zoom)	
Inch	mm	(mm)	(mm)				
60	1524	747	1328	917	1009	1102	19
70	1778	872	1550	1069	1178	1286	22
80	2032	996	1771	1222	1346	1470	25
90	2286	1121	1992	1375	1514	1654	28
100	2540	1245	2214	1528	1682	1837	31
110	2794	1370	2435	1680	1851	2021	34
120	3048	1494	2657	1833	2019	2205	37
140	3556	1743	3099	2139	2355	2572	44
160	4064	1992	3542	2444	2692	2940	50
180	4572	2241	3985	2750	3028	3307	56

## Ceiling Mount Chart

- ◎ Ceiling mount screws: M4  
(Max. L = 25 mm; Min. L = 20 mm)



BenQ Europe B.V.

Meerenakkerweg 1-17  
5652 AR Eindhoven  
The Netherlands  
Tel: +31 88 8889200  
Fax: +31 88 8889299

BenQ.eu

© 2016 BenQ Corp. Specification may vary by region, please visit your local stores for details. Actual product's features and specifications are subject to change without notice. This material may include corporate names and trademarks of third parties which are the properties of the third parties respectively.

BenQ