

FEATURE HIGHLIGHTS

- LASERPROJECTOR
- 6000 ANSI LUMENS
- 4K UHD
- 360-DEGREE PROJECTION
- BIG ZOOM & LENS SHIFT
- HDBASET



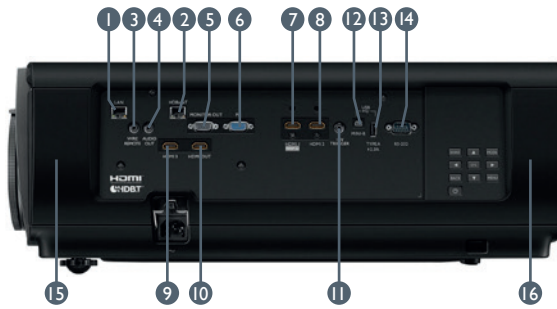
Technische Daten

Articel No.	9HJKD77.15E	
EAN Code	471 8755 07626 8	
Projection System	DLP Single 0.67" XPR 4K	
DMD type	DC3 DMD Chip	
Native Resolution	4K UHD 3840 x 2160	
Brightness	6000 ANSI Lumens	
Contrast Ratio*	100,000 : 1	
Display Color	1,07 Mrd.	
Aspect Ratio	Native 16:9 (8 aspect ratio selectable)	
Projection Size	30"~300"	
Throw Ratio	1.38~2.02	
Zoom Ratio	1,47x	
Lens Control	Manual Zoom and Focus	
Lens Shift	Manual lens shift,V: ±60 %; H: ±25 %	
Lightsource Type	BlueCore Laser	
Lightsource Life **	20,000 hours	
Keystone Correction	NA	
Resolution Support	VGA(640 x 480) to 4K (3840 x 2160)	
Horizontal Frequency	15K ~135 KHz	
Vertical Scan Rate	23 ~120 Hz	
Compatibility	HDTV Compatibility	SDTV(480i/576i), EDTV (480p/576p), HDTV (720p, 1080i 60/50, 1080P 50/60/30/25/24, 3840x2160p 60/50/30/25/24)
	Video Compatibility	NA
Speaker	NA	
Feature	4K UHD, HDR, 3D, Projector/ Remote Control ID Setting, Auto High Altitude Mode, HDBaseT, LAN Control, 360 degree projection, 4K Upscaling, True Zoom, 24/7 Hours Operating, IP6X Dust Proof Engine, Liquid Cooling System.	
Product Dimensions (WxHxD)	471 x 225 x 565 mm	
Product Weight	20,2 kg	
Power Supply	100~ 240 V AC	
Power Consumption	Max 745W / Normal 655W / Eco 470W	
Standby Power Consumption	Normal < 0,5W / Network <2W	
Audible Noise	37 / 34 dBA	
Operating Temperature	0 ~ 40°C	
On-Screen Display Languages	Arabic / Bulgarian / Croatian / Czech / Danish / Dutch / English / Finnish / French / German / Greek / Hindi / Hungarian / Italian / Indonesian / Japanese / Korean / Norwegian / Persian / Polish / Portuguese / Romanian / Russian / Simplified Chinese / Spanish / Swedish / Turkish / Thai / Traditional Chinese / Vietnam (30 languages)	
Accessories	Standard	
	Remote control (RCA011)	Installation Guide / Regulatory Statement
	Power Cord	Warranty card(by sku)
	Lens cover	Cable Tie Set x2
	AAA Battery x2	Rubber Cap
Guarantee	5 years or 20,000 hours (which comes first)	

*The Contrast is measure by Full On Full Off standard.

** Light Source life results will vary depending on environmental conditions and usage. Actual product's features and specifications are subject to change without notice.

Input and Output Terminals



- | | |
|-------------------------------------|--------------------------------|
| 1 LAN Port | 9 HDMI 3 (HDMI 1.4 & HDCP 1.4) |
| 2 HDBaseT | 10 HDMI Out |
| 3 Wired Remote In | 11 12V Trigger |
| 4 Audio out (mini jack) | 12 USB Mini-B (Service) |
| 5 Monitor out (D-sub 15pin, Female) | 13 USB Type-A (2A power) |
| 6 PC In (D-sub 15pin, Female) | 14 RS232 In (D-sub 9pin, male) |
| 7 HDMI 1 (4K, HDMI 2.0 & HDCP 2.2) | 15 IR Receiver (Front) |
| 8 HDMI 2 (HDMI 1.4 & HDCP 1.4) | 16 IR Receiver (Rear) |

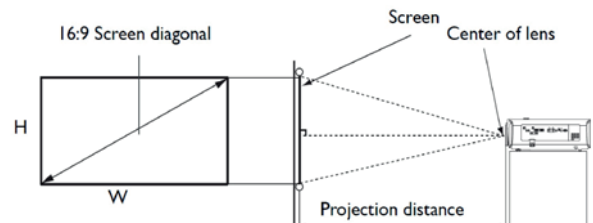
Dimensions



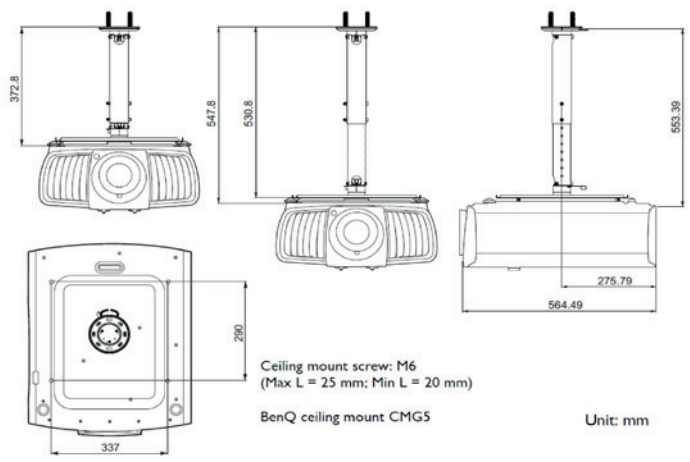
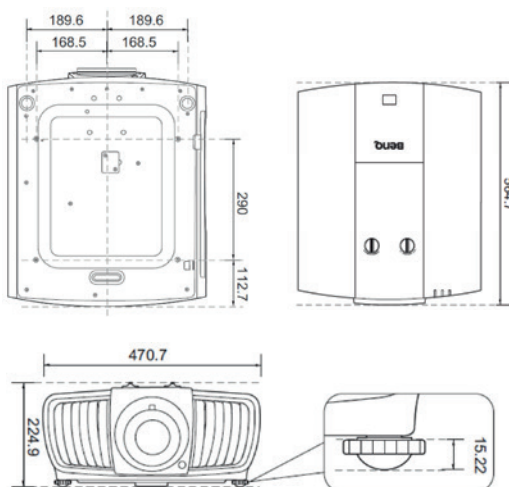
Distance Chart

Screen size				Distance from screen (mm)		
Diagonal		H	W	Min length	Average	Max length
Inch	mm	(mm)	(mm)	(max zoom)		(min zoom)
30	762	374	664	917	1129	1342
40	1016	498	886	1222	1505	1789
50	1270	623	1107	1528	1882	2236
60	1524	747	1328	1833	2258	2683
70	1778	872	1550	2139	2634	3130
80	2032	996	1771	2444	3011	3578
90	2286	1121	1992	2750	3387	4025
100	2540	1245	2214	3055	3763	4472
110	2794	1370	2435	3361	4140	4919
120	3048	1494	2657	3666	4516	5366
130	3302	1619	2878	3972	4893	5813
140	3556	1743	3099	4277	5269	6261
150	3810	1868	3321	4583	5645	6708
160	4064	1992	3542	4888	6022	7155
170	4318	2117	3763	5194	6398	7602
180	4572	2241	3985	5499	6774	8049
190	4826	2366	4206	5805	7151	8497
200	5080	2491	4428	6110	7527	8944

Screen size				Distance from screen (mm)		
Diagonal		H	W	Min length	Average	Max length
Inch	mm	(mm)	(mm)	(max zoom)		(min zoom)
210	5334	2615	4649	6416	7903	9391
220	5588	2740	4870	6712	8280	9838
230	5842	2864	5092	7027	8656	10285
240	6096	2989	5313	7332	9032	10733
250	6350	3113	5535	7638	9409	11180
260	6604	3238	5756	7943	9785	11627
270	6858	3362	5977	8249	10161	12074
280	7112	3487	6199	8554	10538	12521
290	7366	3611	6420	8860	10914	12968
300	7620	3736	6641	9165	11290	13416



Ceiling Mount Chart



BenQ Europe B.V.

Meerakkerweg 1-17
5652 AR Eindhoven
The Netherlands
Tel: +31 88 8889200

BenQ.eu

© 2018 BenQ Corp. Specifications may vary by region, please visit your local stores for details. Actual product's features and specifications are subject to change without notice. This material may include corporate names and trademarks of third parties which are the properties of the third parties respectively. Latest Update: 2018-11-26

BENQ